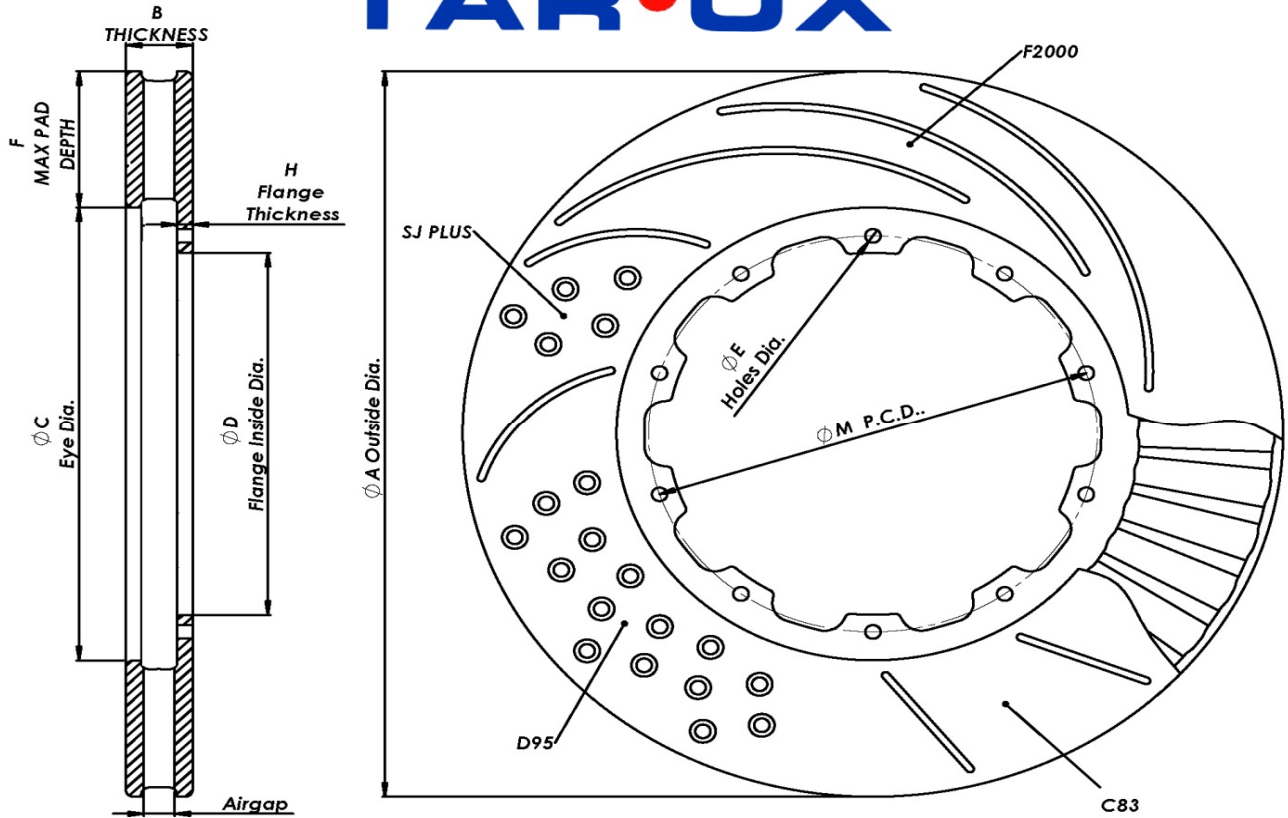
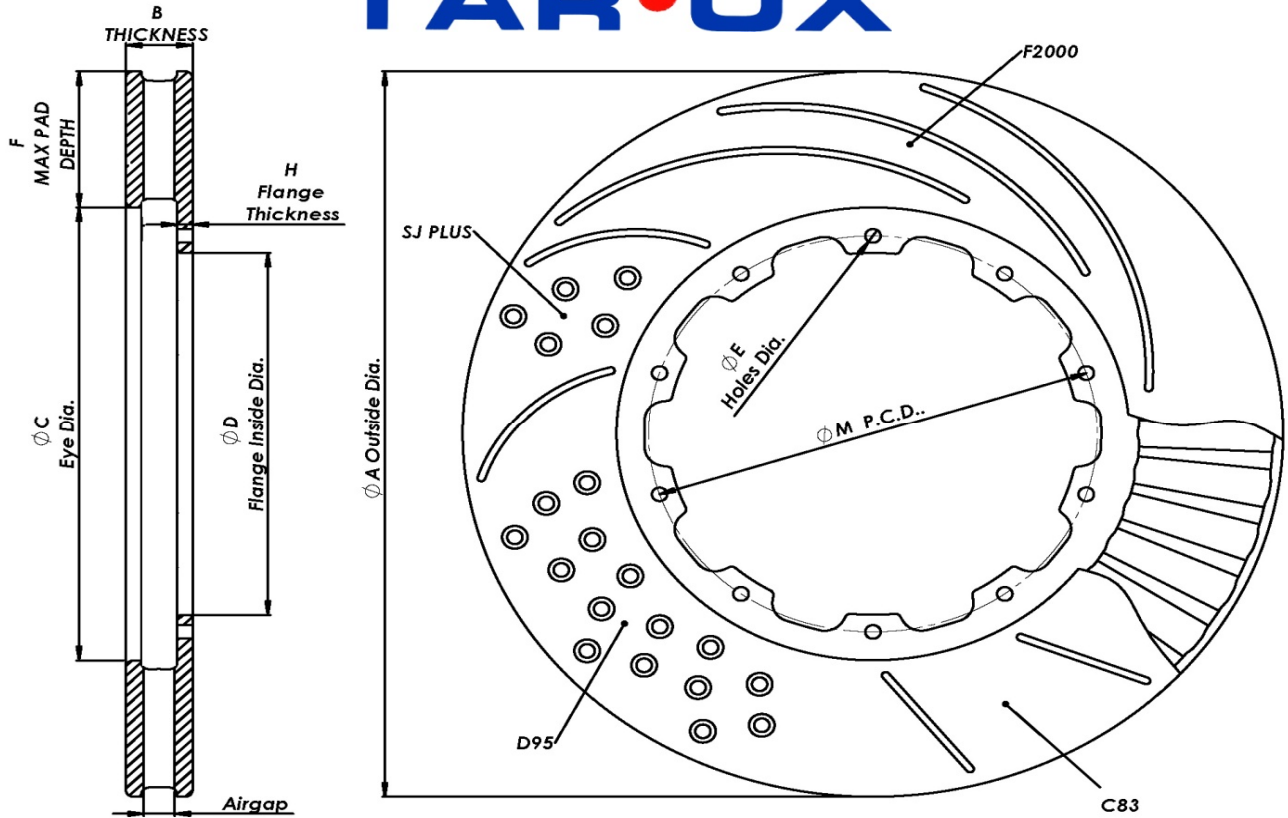


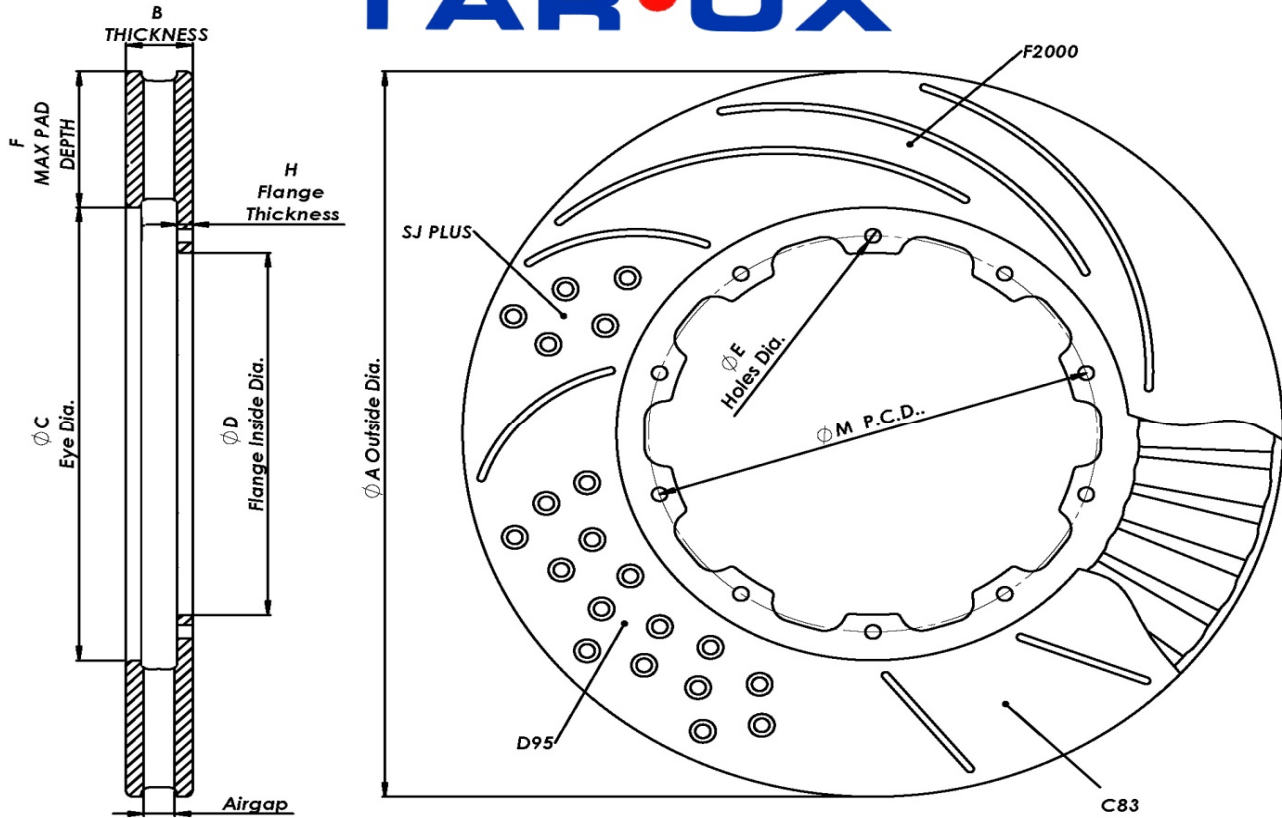
PART NUMBER	Ø 'A' Outside Diameter	'B' Th	Ø 'C' Diameter	Ø 'D' Diameter	MOUNTING HOLES				'F' Max Pad Depth	'H' Th	AIR GAP
					Ø E HOLES	Ø M P.C.D.	N°	Fixing type			
C25421AX	254	21	154.9	125.8	6.4	139.7	6	Bolted	50	5.5	9
C25721AX	257	21	154.9	125.8	6.4	139.7	6	Bolted	51	5.5	9
C26025AX	260	25.4	154.9	125.8	6.4	139.7	6	Bolted	53	5	14
C26421AX	264	21	154.9	125.8	6.4	139.7	6	Bolted	55	5.5	9
C26716AX	267	16	178	145	6.4	162.0	8	Bolted	45	4.5	6
C26721AX	267	21	157	125.8	6.4	139.7	6	Bolted	55	5.5	9
C26728AX	267	28	157	125.8	6.4	139.7	6	Bolted	55	4.5	18
C27816AX	278	16	187.5	156	8.45	176.1	8	Bolted	45	4.5	6
C27816BX	278	16	198	158	9.5	181.5	8	Floating	40	4.5	6
C28017AX	280	17	191.4	146.5	9.5	171.4	8	Floating	44	5	7
C28017BX	280	17	193.5	159	6.5	176.8	8	Bolted	43	4.5	7
C28020AX	280	20	192	154	9.5	176.8	8	Floating	44	5	9
C28021AX	280	21	192	159.3	6.4	176.8	8	Bolted	44	5	10
C28022AX	280	22	180.3	152	6.4	165.1	8	Bolted	50	4.5	12
C28024AX	280	24	192	159.3	6.4	176.8	8	Bolted	44	5	13
C28025AX	280	25.4	174	141	6.4	158.8	8	Bolted	53	5	14
C28025BX	280	25.4	192	159.3	6.4	176.8	8	Bolted	44	5	14
C28025CX	280	25.4	192	154	9.5	176.8	8	Floating	44	5	14
C28025DX	280	25.4	197	164	6.4	177.8	10	Bolted	42	6	12
C28025EX	280	25.4	197	164	6.4	177.8	8	Bolted	42	5	14
C28525AX	285	25.4	190	141	6.4	158.8	8	Bolted	48	4.5	15
C28525BX	285	25.4	197	164	6.4	177.8	12	Bolted	44	5	14
C28528AX	285	28	182.5	141	6.4	158.8	8	Bolted	51	6.2	15
C29025AX	290	25.4	180.3	152.9	6.4	165.1	8	Bolted	55	6.2	12



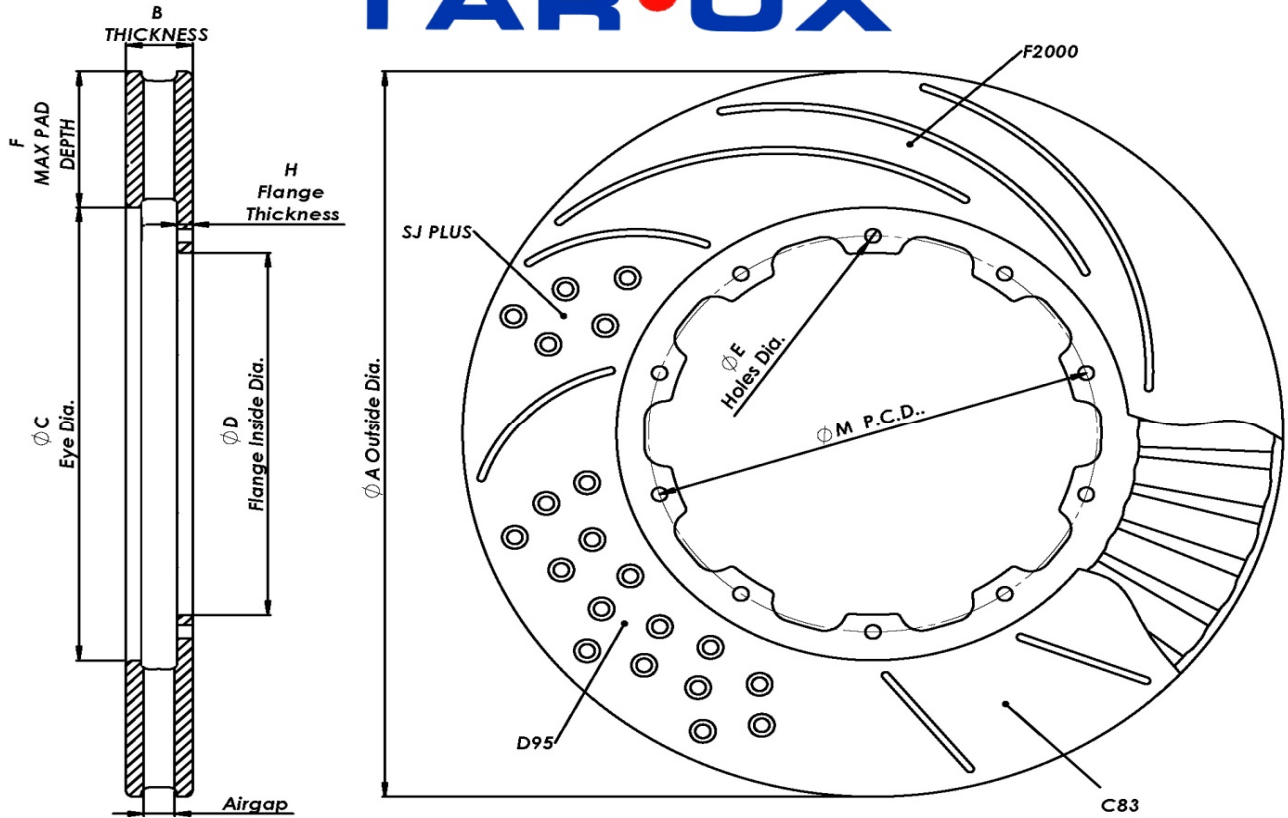
PART NUMBER	Ø 'A' Outside Diameter	'B' Th	Ø 'C' Diameter	Ø 'D' Diameter	MOUNTING HOLES				'F' Max Pad Depth	'H' Th	AIR GAP
					Ø E HOLES	Ø M P.C.D.	N°	Fixing type			
C29028AX	290	28	180	153	6	165.1	8	Bolted	55	6	15
C29525AX	295	25.4	193	164	6.4	177.8	10	Bolted	51	6	12
C29525BX	295	25.4	193	164.3	6.4	177.8	12	Bolted	51	6	12
C29525CX	295	25.4	204	164	6.4	177.8	12	Bolted	46	5.5	13
C29528AX	295	28	193	164	6.4	177.8	12	Bolted	51	5.5	16
C29528BX	295	28	195.1	164.3	6.4	177.8	12	Bolted	50	6	15
C29528CX	295	28	192.4	154	9.5	177.8	12	Floating	51	5.5	16
C29532AX	295	32	193.4	153	6.5	177.8	10	Bolted	51	6.5	18
C29532BX	295	32	193.4	153	9.5	177.8	10	Floating	51	6.5	18
C30028AX	300	28	203.2	164	6.4	177.8	12	Bolted	48	5.5	16
C30421AX	304	21	195	164.3	6.4	177.8	12	Bolted	55	5.5	9
C30425AX	304	25.4	201	161	6.35	177.8	12	Bolted	52	5.5	13
C30425BX	304	25.4	203.2	164	6.4	177.8	10	Bolted	50	5	14
C30425CX	304	25.4	203.2	164	6.4	177.8	12	Bolted	50	6.5	11
C30425DX	304	25.4	203.2	164.5	6.4	177.8	12	Bolted	50	5	14
C30425EX	304	25.4	203.2	164	6.4	177.8	12	Bolted	50	5	14
C30428AX	304	28	203.2	164.3	6.4	177.8	12	Bolted	50	5.5	16
C30428BX	304	28	203.2	152.6	9.5	177.8	12	Floating	50	5.5	16
C30428CX	304	28	210.6	174	6.4	190.5	12	Bolted	47	5.5	16
C30432AX	304	32	191	164.3	6.4	177.8	12	Bolted	57	6.5	18
C31025AX	310	25.4	210	176	6.5	190.5	12	Bolted	50	5.5	13
C31028AX	310	28	210	176	6.5	190.5	12	Bolted	50	5.5	16
C31028BX	310	28	220	190	6.4	203.2	12	Bolted	45	5.5	16
C31030AX	310	30	210	163.1	6.4	177.8	12	Bolted	50	6.5	16



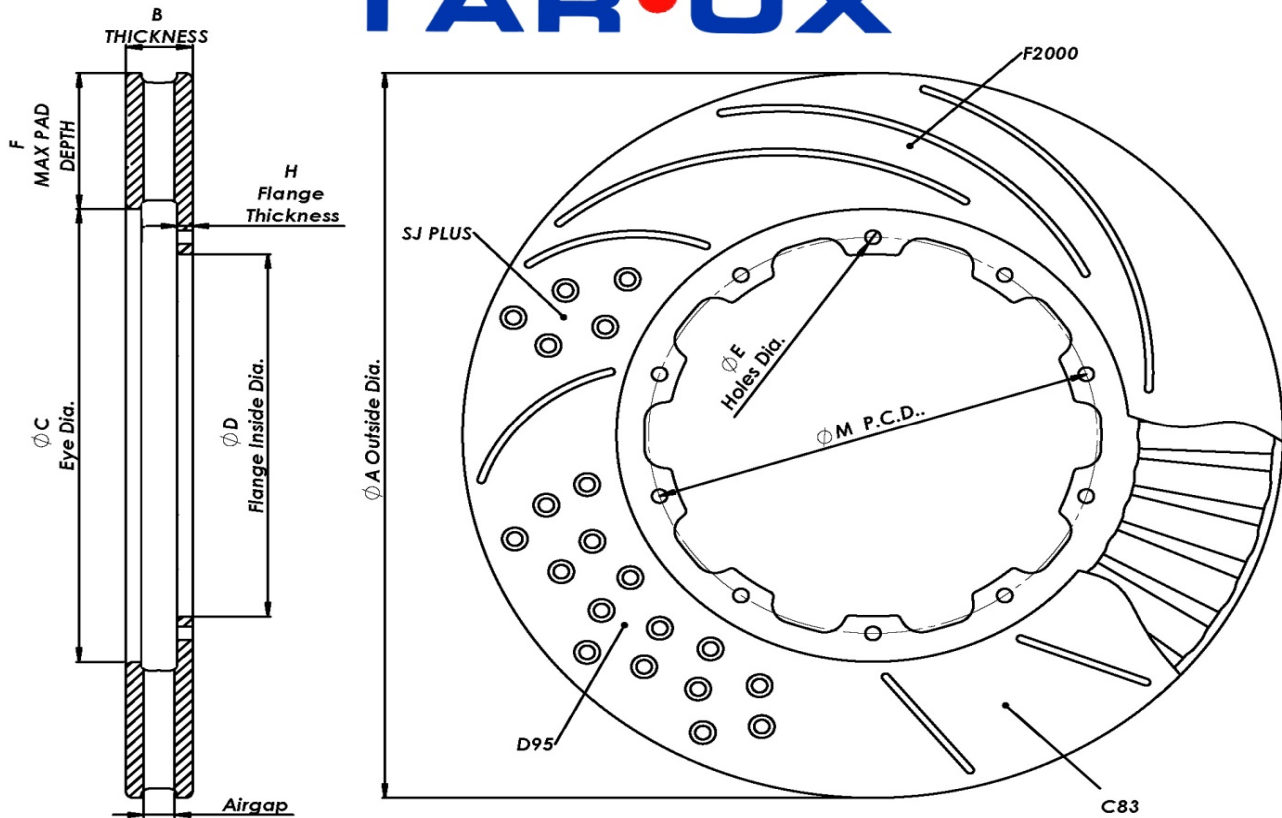
PART NUMBER	Ø 'A' Outside Diameter	'B' Th	Ø 'C' Diameter	Ø 'D' Diameter	MOUNTING HOLES				'F' Max Pad Depth	'H' Th	AIR GAP
					Ø E HOLES	Ø M P.C.D.	N°	Fixing type			
C31032AX	310	32	206.9	163.1	6.4	177.8	12	Bolted	52	6.5	18
C31525AX	315	25.4	220	190	6.4	203.2	12	Bolted	48	6	12
C31528AX	315	28	195.1	164.3	6.4	177.8	12	Bolted	60	6	15
C31528BX	315	28	195	164.5	6.4	177.8	12	Bolted	60	6.5	14
C31528CX	315	28	210	164.3	6.4	177.8	12	Bolted	53	6	15
C31530AX	315	30	220	190	6.4	203.2	12	Bolted	48	5.5	18
C31532AX	315	32	210	164	6.4	177.8	12	Bolted	53	6.5	18
C32528AX	325	28	222	187	6.4	203.2	12	Bolted	52	6.5	14
C32530AX	325	30	218	174	9.5	198.0	10	Floating	54	6.5	16
C32532AX	325	32	218	174	9.5	198.0	10	Floating	54	6.5	18
C32536AX	325	36	218	174	9.5	198.0	10	Floating	54	6.5	22
C32828AX	328	28	221.8	190	6.4	203.2	12	Bolted	53	5.5	16
C32828BX	328	28	222	190	6.4	203.2	12	Bolted	53	6.5	14
C32830AX	328	30	222	190	6.4	203.2	12	Bolted	53	6.5	16
C32832AX	328	32	233	192	9.5	218.0	8	Floating	48	6.5	18
C32836AX	328	36	200.9	160	9.5	184.2	10	Floating	64	6.5	22
C32842AX	328	42	200.9	160	9.5	184.1	10	Floating	64	6.5	28
C33025AX	330	25.4	228	196	6.4	212.0	12	Bolted	51	5.5	13
C33025BX	330	25.4	233	201.5	6.4	214.2	12	Bolted	49	5.5	13
C33028AX	330	28	220	190	6.4	203.2	12	Bolted	55	5.5	16
C33028BX	330	28	227.4	190	6.4	203.2	12	Bolted	51	5	17
C33028CX	330	28	230	190	6.4	203.2	12	Bolted	50	5.5	16
C33030AX	330	30	230	190	6.4	203.2	12	Bolted	50	5.5	18
C33032AX	330	32	220	190	6.4	203.2	12	Bolted	55	6.5	18



PART NUMBER	Ø 'A' Outside Diameter	'B' Th	Ø 'C' Diameter	Ø 'D' Diameter	MOUNTING HOLES				'F' Max Pad Depth	'H' Th	AIR GAP
					Ø E HOLES	Ø M P.C.D.	N°	Fixing type			
C33032BX	330	32	228	188	6.4	203.2	12	Bolted	51	5.5	20
C33032CX	330	32	227.4	190	6.4	203.2	12	Bolted	51	6.5	18
C33032DX	330	32	227	178	9.5	203.2	12	Floating	52	5.5	20
C33032EX	330	32	226	179	9.5	203.2	12	Floating	52	5.5	20
C33036AX	330	36	219.4	190	6.4	203.2	12	Bolted	55	6.5	22
C34328AX	343	28	240.6	212	6.4	228.6	12	Bolted	51	5.5	16
C34328BX	343	28	246	208	9.5	228.6	12	Floating	49	5.5	16
C34332AX	343	32	230	201.3	6.4	215.9	12	Bolted	57	5.5	20
C34332BX	343	32	236	190.5	9.5	215.9	12	Floating	54	5.5	20
C34332CX	343	32	249	208	6.4	228.6	12	Bolted	47	5.5	20
C34336AX	343	36	233	195.9	6.4	215.9	12	Bolted	55	7.5	20
C35528AX	355	28	261.6	233	6.4	247.6	12	Bolted	47	5.5	16
C35532AX	355	32	248	217	9.5	233.0	10	Floating	54	8	15
C35532BX	355	32	244	195	6.4	215.9	12	Bolted	56	6.5	18
C35628AX	356	28	238.6	212	6.4	228.6	12	Bolted	59	5.5	16
C35628BX	356	28	261.6	214	6.4	228.6	12	Bolted	47	5.5	16
C35628CX	356	28	251.6	202.6	9.5	228.6	12	Floating	52	5	17
C35628DX	356	28	252.6	220	6.4	240.0	12	Bolted	52	5	17
C35632AX	356	32	248	192.1	9.5	217.6	12	Floating	54	5.5	20
C35632BX	356	32	244.6	202.8	9.5	228.6	12	Floating	56	5.5	20
C35632CX	356	32	245	214	6.4	228.6	12	Bolted	56	5.5	20
C35632DX	356	32	251	214	6.4	228.6	12	Bolted	53	5	21
C35632EX	356	32	251.6	202.6	6.4	228.6	12	Bolted	52	5.5	20
C35632FX	356	32	261.6	225.5	6.4	240.0	12	Bolted	47	5.5	20



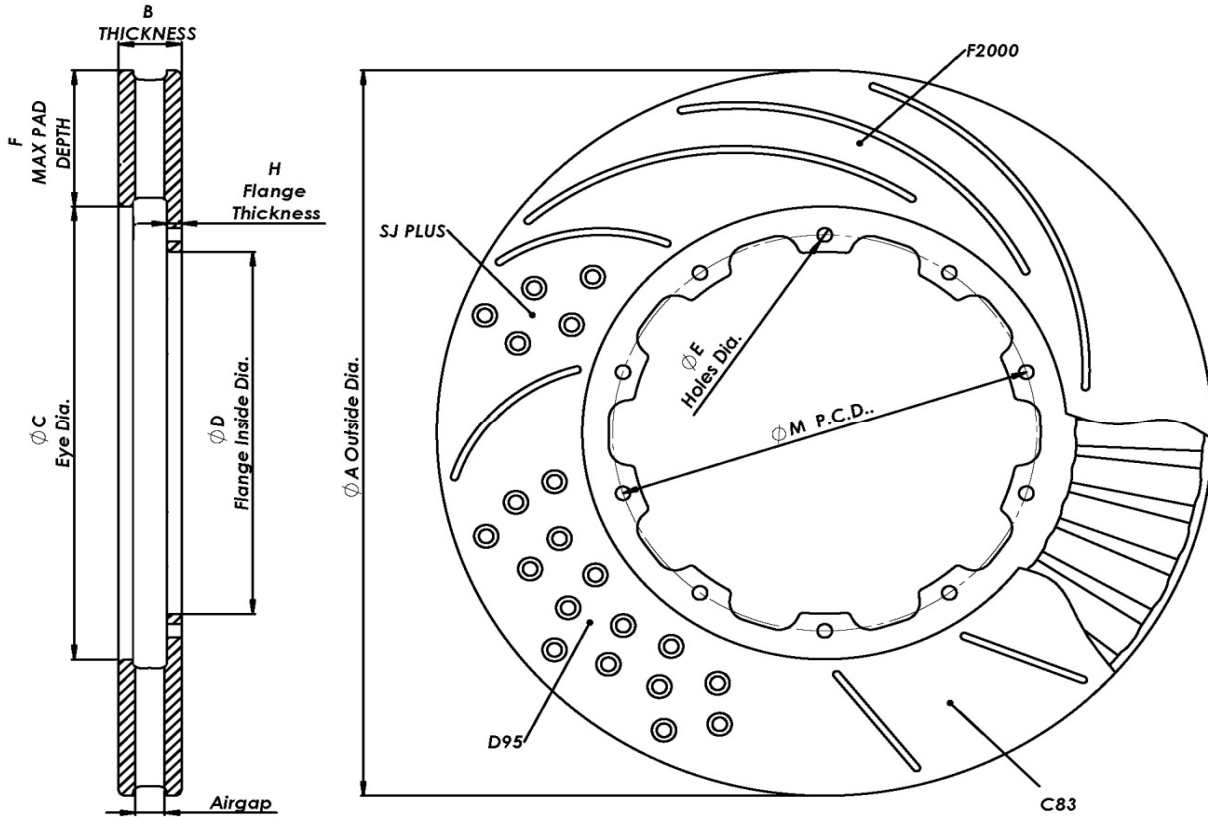
PART NUMBER	Ø 'A' Outside Diameter	'B' Th	Ø 'C' Diameter	Ø 'D' Diameter	MOUNTING HOLES				'F' Max Pad Depth	'H' Th	AIR GAP
					Ø E HOLES	Ø M P.C.D.	N°	Fixing type			
C35632GX	356	32	258	215	9.5	240.0	12	Floating	49	5	21
C35632HX	356	32	258.6	215	9.5	240.0	12	Floating	49	5.5	20
C35632IX	356	32	261.6	215	9.5	240.0	12	Floating	47	5	21
C35632LX	356	32	261.6	215	9.5	240.0	12	Floating	47	5	21
C35636AX	356	36	244.6	214	6.4	228.6	12	Bolted	56	6.5	22
C35636BX	356	36	245	208	6.4	228.6	12	Bolted	56	6.5	22
C35636CX	356	36	244.6	202.8	6.4	228.6	12	Bolted	56	5.5	24
C35636DX	356	36	244.6	202.8	9.5	228.6	12	Floating	56	5.5	24
C35636EX	356	36	251.6	202.6	9.5	228.6	12	Floating	52	6	23
C36034AX	360	34	227.2	182.6	9.5	208.0	10	Floating	66	5.5	22
C36232AX	362	32	238	195	6.4	215.9	12	Bolted	62	6.5	18
C36232BX	362	32	251.4	208	6.4	228.6	12	Bolted	55	6.5	18
C37036AX	370	36	252	224	6.4	241.3	12	Bolted	59	6	23
C37535AX	375	35	261	221	9.5	245.0	10	Floating	57	8	18
C37536AX	375	36	257	225	6.4	241.3	12	Bolted	59	6.5	22
C37536BX	375	36	257	231	6.4	247.6	12	Bolted	59	6.5	22
C37536CX	375	36	269.7	245	6.4	260.4	12	Bolted	53	6.5	22
C37832AX	378	32	250	218	8.4	235.8	10	Bolted	64	7	17
C37832BX	378	32	250	220	8.4	235.8	10	Bolted	64	7	17
C37832CX	378	32	266.8	215	9.5	240.0	12	Floating	56	5.5	20
C37832DX	378	32	268	215	6.4	240.0	12	Bolted	55	5.5	20
C37832EX	378	32	268	215	9.5	240.0	12	Floating	55	5	21
C37832FX	378	32	282	235.4	9.5	260.4	12	Floating	48	5.5	20
C37836AX	378	36	264	216	9.5	240.0	12	Floating	57	5	25



PART NUMBER	ϕ 'A' Outside Diameter	'B' Th	ϕ 'C' Diameter	ϕ 'D' Diameter	MOUNTING HOLES				'F' Max Pad Depth	'H' Th	AIR GAP
					ϕE HOLES	ϕM P.C.D.	N°	Fixing type			
C37836BX	378	36	275	234.5	9.5	258.0	10	Floating	52	8	19
C38036AX	380	36	270	215	9.5	240.0	12	Floating	55	5.5	24
C38040AX	380	40	266	216	9.5	240.0	12	Floating	57	5.5	28
C39032AX	390	32	268.8	243	6.4	260.0	12	Bolted	61	6	19
C39036AX	390	36	268.8	243	6.4	260.0	12	Bolted	61	6.5	22
C40032AX	400	32	280	239	6.4	266.0	12	Bolted	60	6.5	18
C40032BX	400	32	280	239	9.5	266.0	12	Floating	60	6.5	18
C40036AX	400	36	280	239	9.5	266.0	12	Floating	60	6.5	22
C40036BX	400	36	300	259	9.5	286.0	12	Floating	50	6.5	22

TAROX

CUSTOM VENTILATED BRAKE DISC



Metric/Imperial (delete as applicable)	Ø 'A' Outside Dia	'B' TH	Ø 'C' Dia.	Ø 'D' Dia.	MOUNTING HOLES				'F' Max Pad Depth	'H' TH	AIR GAP
					Ø E HOLES	Ø M P.C.D.	N°	Fixing type			

Facing	
.....	

COMMENTS:

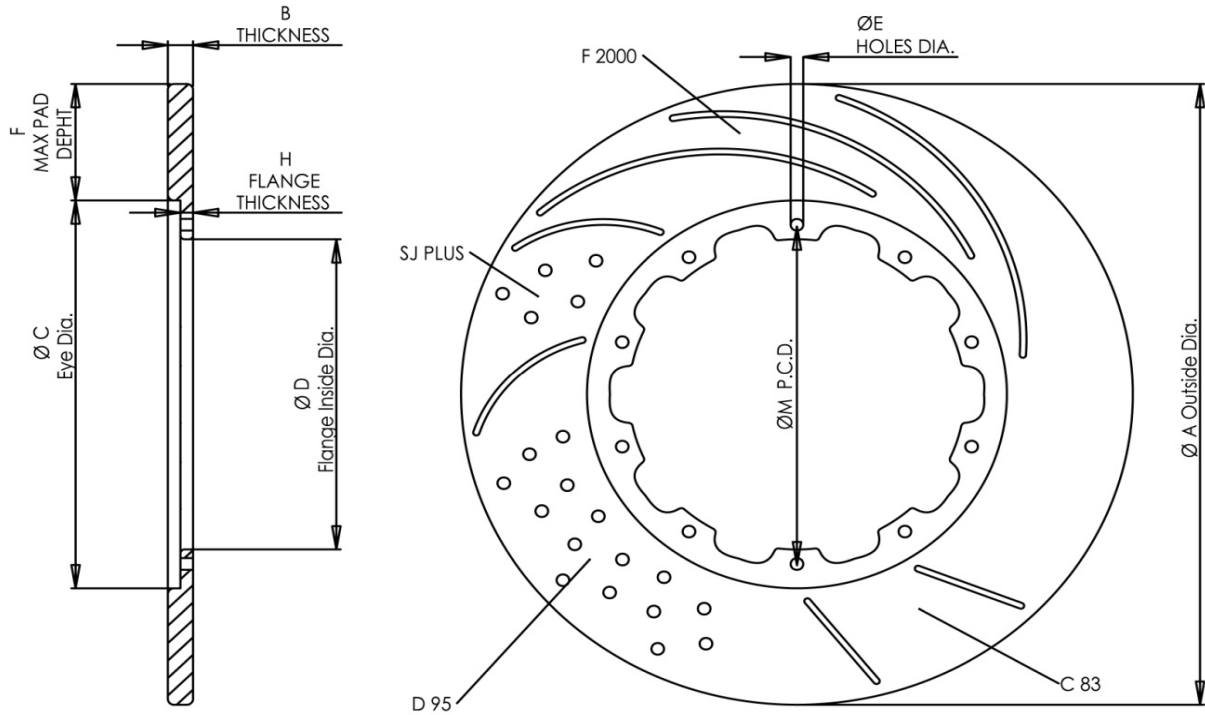
.....

.....

Application	
.....	
.....	
Front	
Rear	

ADDRESS	
NAME
LAST NAME
STREET
CITY
STATE
Post CODE
PHONE
MOBILE PHONE
FAX
E-MAIL

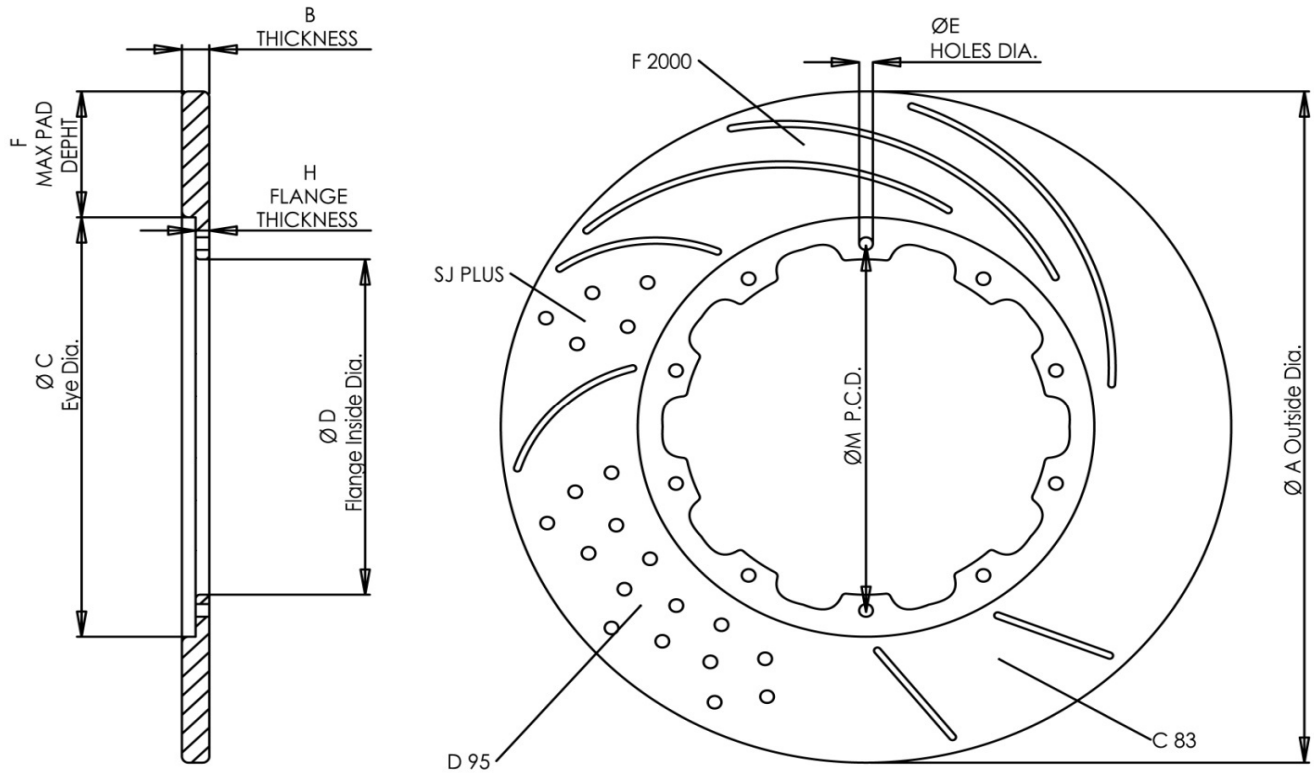
Fax: +39- 039 - 58 76 52	
E-mail: sales@tarox.com	



PART NUMBER	Ø 'A' Outside Diameter	'B' Th	Ø 'C' Diameter	Ø 'D' Diameter	MOUNTING HOLES				'F' Max Pad Depth	'H' Th
					Ø E HOLES	Ø M P.C.D.	N°	Fixing type		
C2488AX	248	8	172	134	6.4	151	8	Bolted	38	5
C2548AX	254	8	165	131	8.45	146	6	Bolted	45	5
C2548BX	254	8	165	131	6.4	146	8	Bolted	45	5
C25410AX	254	10	166	134	6.4	151	8	Bolted	44	6
C25410BX	254	10	166	131	8.5	146	8	Bolted	44	6
C26010AX	260	10	173	123.2	7.95	139.7	6	Bolted	44	6
C2658AX	265	8	177	141	6.4	158.8	8	Bolted	44	5
C26510AX	265	10	189	141	6.4	158.8	8	Bolted	38	6
C26510BX	265	10	177	141	6.4	158.8	8	Bolted	44	5
C26510CX	265	10	177	135.7	/	158.8	8	Floating	44	5
C27710AX	277	10	192	159	6.4	176.8	8	Bolted	43	6
C27710BX	277	10	192	154	/	176.8	8	Floating	43	4.8
C27710CX	277	10	197.5	159.3	/	181.5	8	Floating	40	4.8
C28010AX	280	10	192	149.3	/	169.8	8	Floating	44	4.8
C28010BX	280	10	191.5	158	6.4	175	8	Bolted	44	6
C28010CX	280	10	192	159	6.4	176.8	8	Bolted	44	6
C28010DX	280	10	192	159	8.5	176.8	6	Bolted	44	6
C28010EX	280	10	206	176	6.4	190	8	Bolted	37	6
C28010FX	280	10	206	173	/	190	8	Floating	37	4.8
C29510AX	295	10	192	159	6.4	176.8	8	Bolted	52	6
C30010AX	300	10	206.5	171	6.4	189	8	Bolted	47	6
C30410AX	304	10	216	186.5	6.4	200	10	Bolted	44	6
C30410BX	304	10	216	173	/	200.0	10	Floating	44	4.8

TAROX

CUSTOM SOLID BRAKE DISC



Metric/Imperial (delete as applicable)	Ø 'A' Outside Diameter	'B' TH	Ø 'C' Diameter	Ø 'D' Diameter	MOUNTING HOLES				'F' Max Pad Depth	'H' TH
					Ø E HOLES	Ø M P.C.D.	N°	Fixing type		

Facing	
	n°

COMMENTS:
.....
.....

Application	
.....	
.....	
Front	
Rear	

ADDRESS	
NAME
LAST NAME
STREET
CITY
STATE
ZIP CODE
PHONE
MOBILE PHONE
FAX
E-MAIL

COPY THIS PAGE TO SEND TO:
Fax: +39- 039 - 58 76 52
E-mail: sales@tarox.com